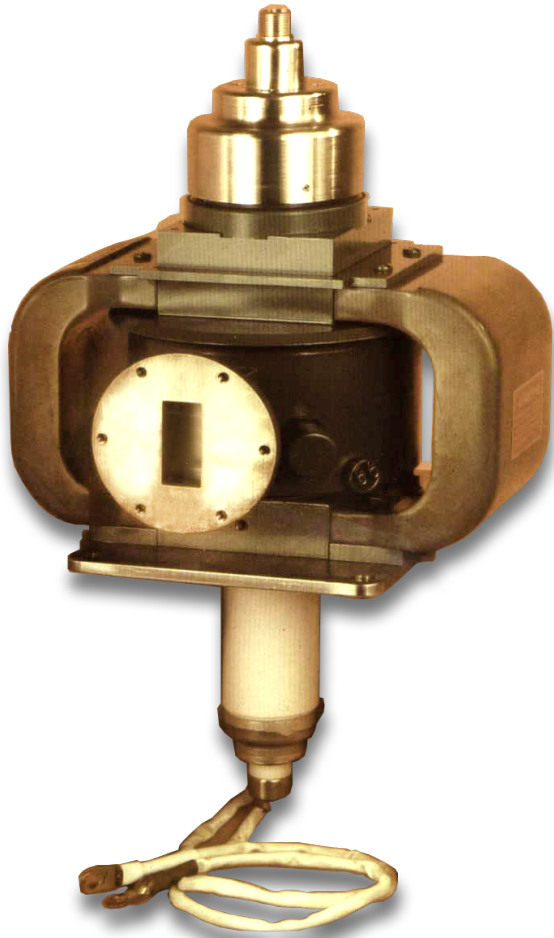


CPI Electron Device Business - Coaxial Magnetron



FEATURES:

- Frequency 6.7 – 7.4 GHz
- Peak power output 100 kW
- Duty cycle .001
- Anode voltage 18 kV
- Anode current 19 amps
- Pulse width 0.5 microseconds
- Heater 5 volts @ 20 amps
- Air cooled
- Mechanically tunable

BENEFITS:

- Long life
- Exceptional frequency stability

APPLICATIONS:

- Threat simulator radars
- Weather radars

CPI EDB C-Band 100 kW Coaxial Magnetron: VMC1360GD

Electrical Specifications

Frequency	6.7 – 7.4 GHz
Peak Power Output	100 kW
Average Power Output	100 W
Pulse Voltage	16.0 – 20.0 kV
Peak Anode Current	25 A
Average Anode Current	19 mA
Pulse Width	3.0 μ S
Duty Cycle	0.001
Maximum Filament Voltage	7.5 V
Maximum Filament Current	25 A
Minimum Warm -Up Time	300 S
Maximum Load VSWR	1.5:1

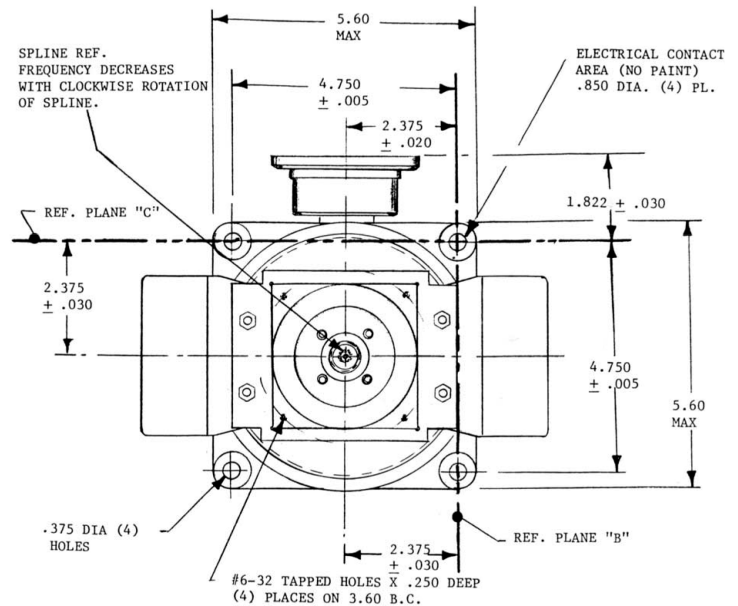
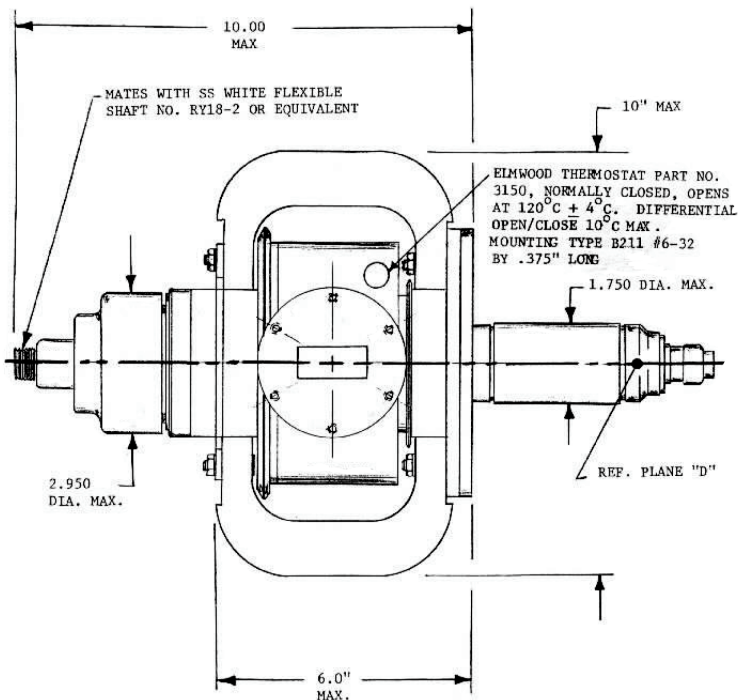
Mechanical and Environmental Specifications

Cooling	Forced air
Maximum Body Temperature	120°C
Mounting Position	Any
Support	Mounting flange
Coupling	WR 237 mates with UG343A/U choke flange

*Electrical specifications are typical. Other operating conditions are obtainable.

With a history of producing high quality products, we can help your with magnetron.

Contact us at ElectronDevices@cpiedb.com or call us at +1 978-922-6000.



Beverly Microwave Division
 150 Sohler Road
 Beverly, Massachusetts
 USA 01915

tel +1 978-922-6000
 email ElectronDevices@cpiedb.com
 fax +1 978-922-8914
 web www.cpiedb.com

For more detailed information, please refer to the corresponding CPI EDB technical description if one has been published, or contact CPI EDB. Specifications may change without notice as a result of additional data or product refinement. Please contact CPI EDB before using this information for system design.

©2024 CPI Electron Device Business. Company proprietary; use and reproduction is strictly prohibited without written authorization from CPI EDB.